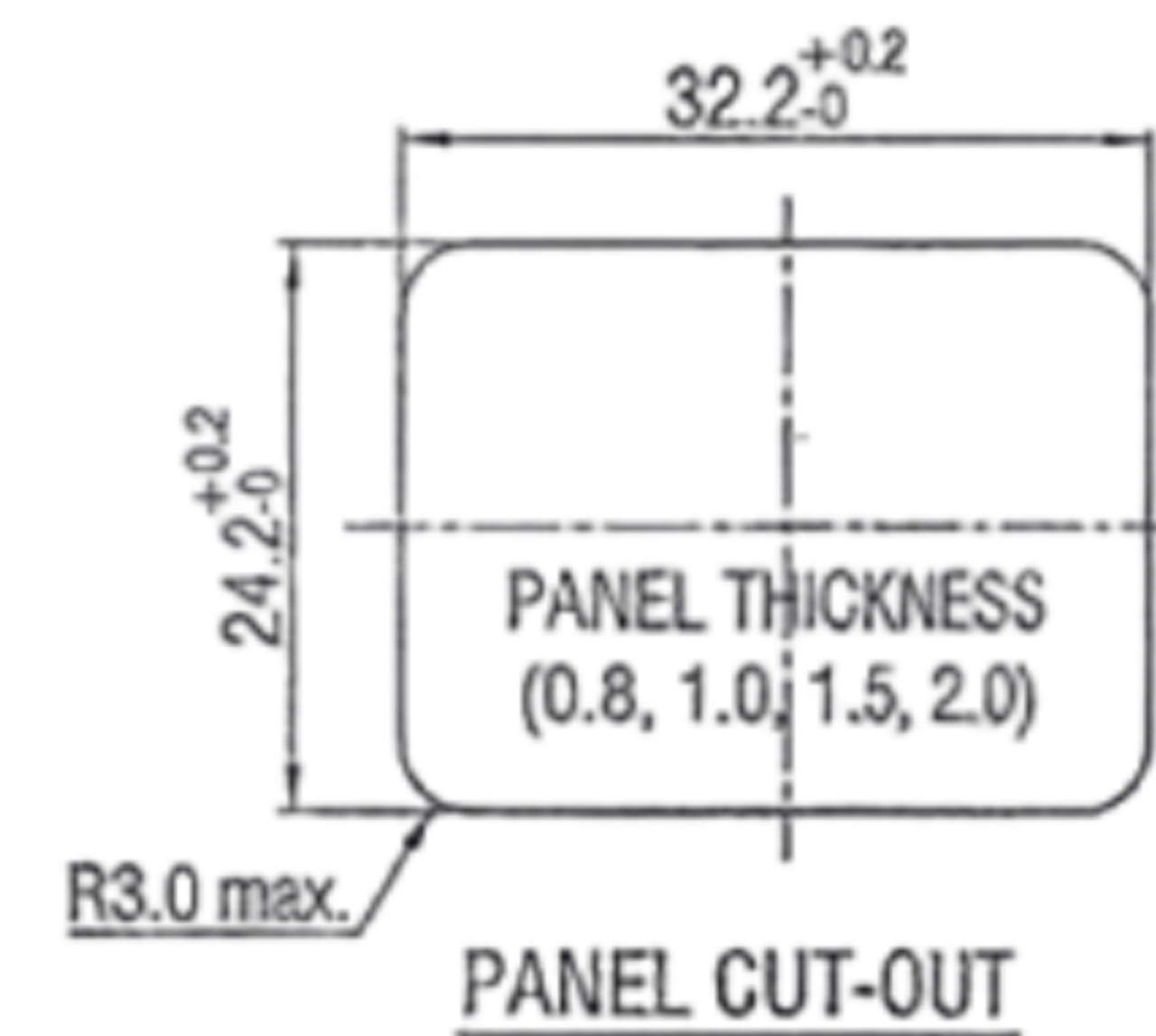
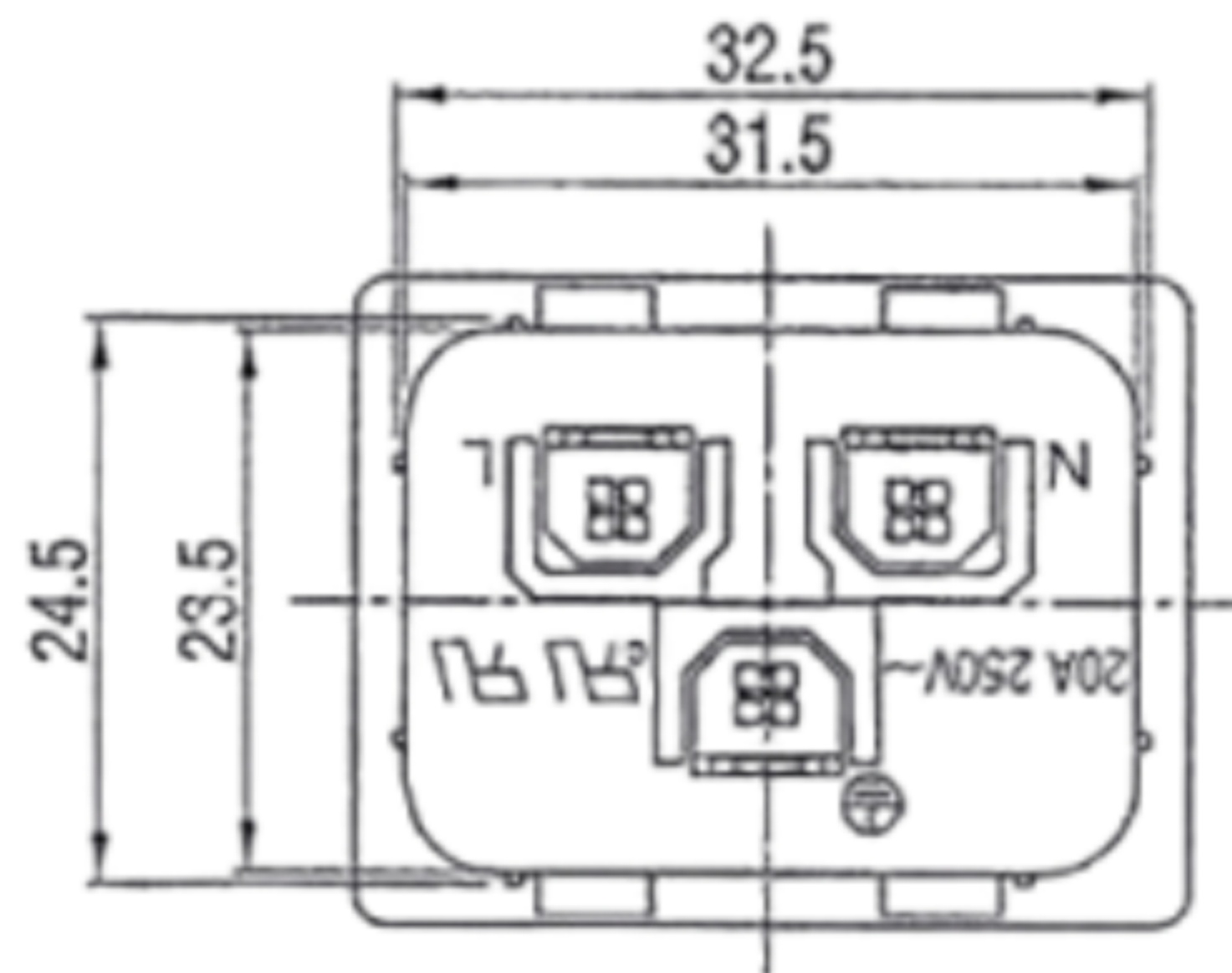
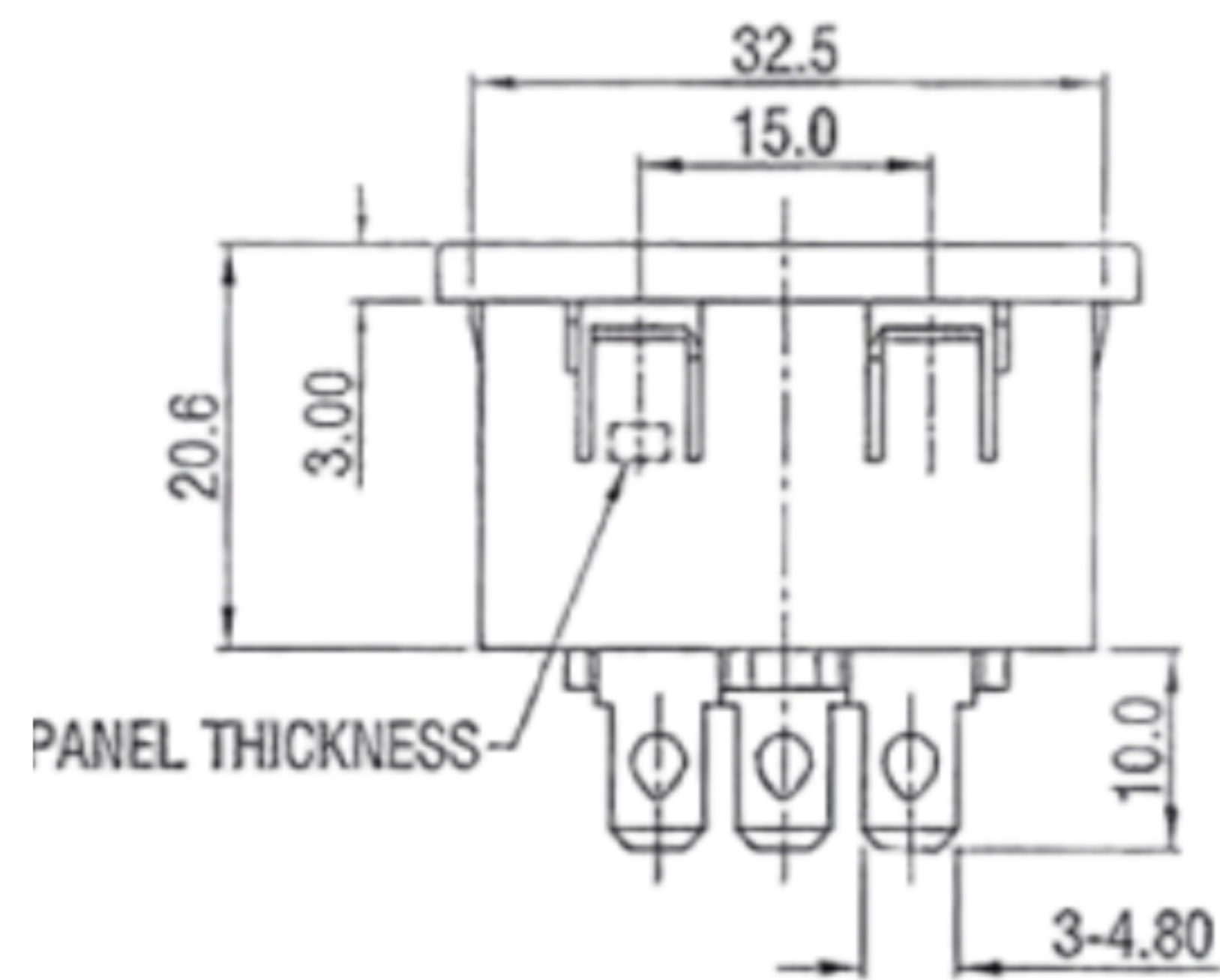


SECTION A-A



PANEL CUT-OUT

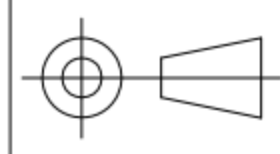


東莞市高迪電子有限公司
DONG GUAN GAO DI ELECTRONICS CO., LTD

TOLERANCE UNLESS OTHERWISE STATED:

Up to 5 ±0.2
Above 5 ~ 15 ±0.3
Above 15 ~ 30 ±0.4
Above 30 ~ 50 ±0.5
Angle ±0.3°

3RD. ANGEL'S



UNITS

MM

DRAWN BY: Ming Ming Zou
DATE: 10/31/13

CHECKED BY: Ning Ning Su
DATE: 10/31/13

APPROVED BY: Jia Xiang
DATE: 10/31/13

MAT'L

FINISH

SCALE

SHEET NO.

TITLE

MODLE

DWG NO.

PART NO.

SWITCH

AC POWER SOCKET

GD-BT-20-1A

SIZE: A4
VER: R

ITEM NO.	DESCRIPTION	DRAWN	DATE